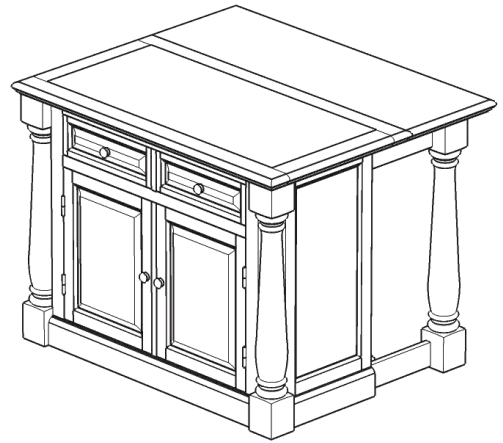


homestyles[®]

5009-943

Kitchen Island



IMPORTANT

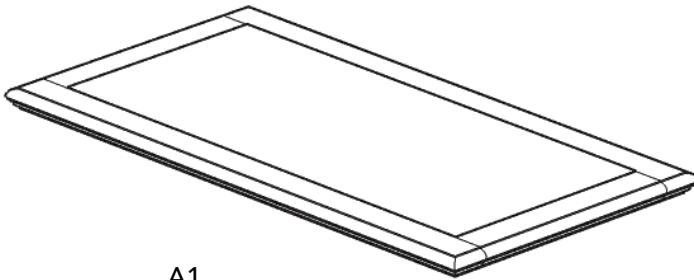
Carefully remove all the parts from the carton and place them individually on a soft cloth to prevent scratches or other damage.

Carefully and strictly follow these assembly instructions to ensure a completed product as designed.

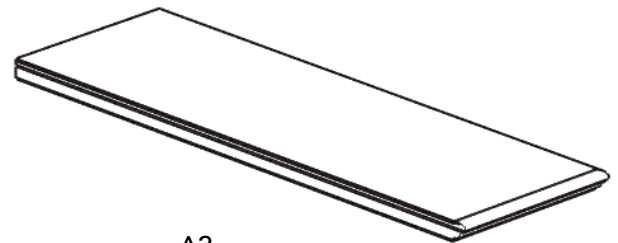
Do not use power tools above 8 volts to assemble.

Patent 8,584,600 B2

Part List



A1.
Top
1 pc.



A2.
Leaf Top
1 pc.

Care Instructions

Granite is a natural stone material with naturally occurring fissures and cavities. A sealer has been applied to the granite to reduce the absorption of liquids. Even with sealer applied, liquids can absorb into the granite causing permanent stains. Never allow liquids to remain on the top. A stone sealer can be reapplied periodically to the granite to reduce the absorption of liquids.

For assembly see instructions in carton 5006-941, 5008-941 or 5020-941.

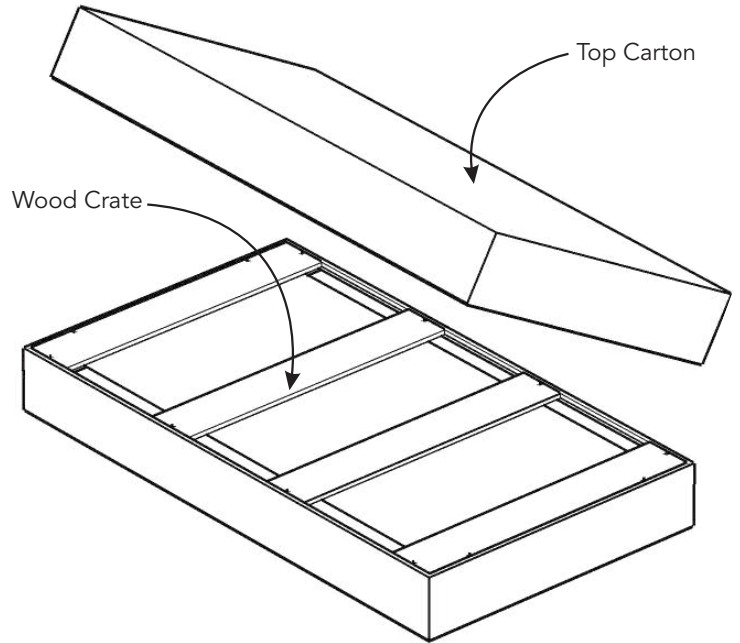
Tools required for unpacking: Phillips screwdriver, hammer

Home Styles Customer Service: www.homestylesfurniture.com,
servicedesk@homestylesfurniture.com, 888-680-7460, 877-831-0319

Unpacking Instructions

STEP 1

Remove top carton.



STEP 2

Remove wood screws.

Remove upper wood supports by prying with a hammer. (See Figure 1)

Note: Do not hit top with hammer.

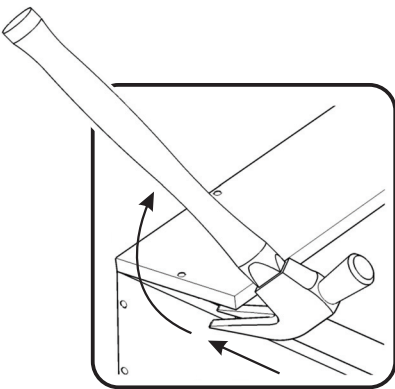
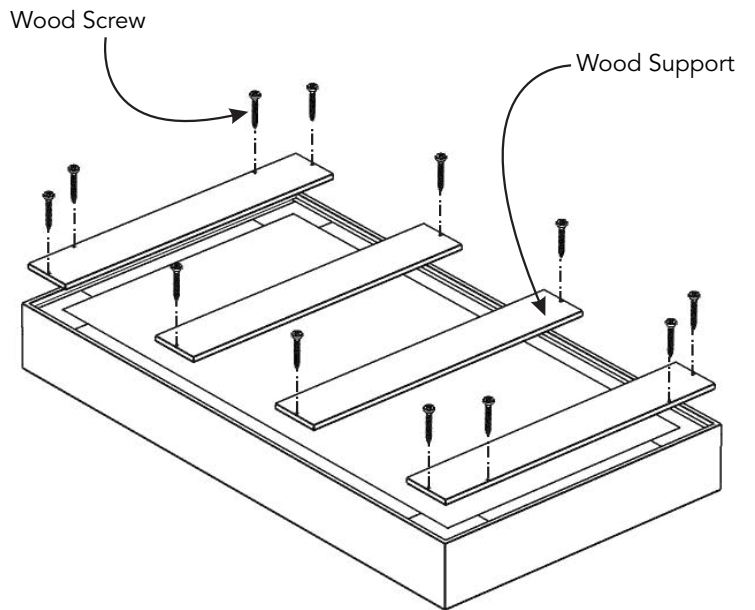


Figure 1

STEP 3

Remove foam, Top (A1) and Leaf Top (A2).

